

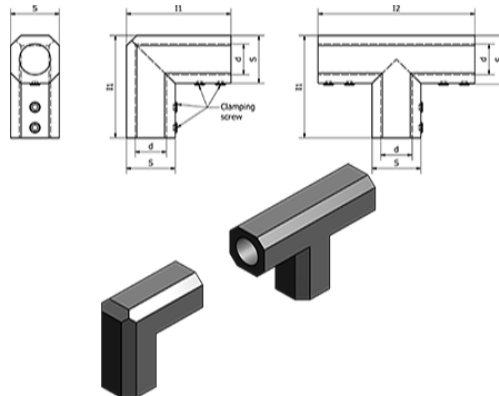
Data Sheet



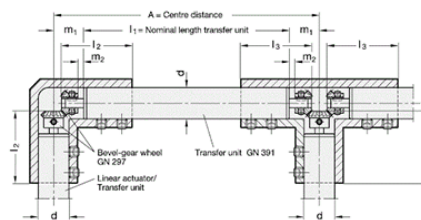
Article number: 2029850B40TSW

Description: E+G Angular gear housing - GN 298-50-B40-T-SW

Measures



Assembly of linear actuators and transfer units with bevel gear wheels in housings GN 298



d	l ₂	l ₃	m ₁	m ₂	Bevel gear wheel	Housing
18	42	41	20	4	GN 297-17,5-K6	GN 298-20-B10-W/T-SW
30	58	57	25	1	GN 297-26-K8	GN 298-40-B30-W/T-SW
40	74	72	32	1	GN 297-35-K12	GN 298-50-B40-W/T-SW
50	90	82	32	1	GN 297-35-K12	GN 298-60-B50-W/T-SW

Length of the transfer unit GN 99:
 $l_1 = A - 2 \times m_1$

d = B40

l1 = 108

l2 = 162

S = 50

Weight (g) = 542